



The **earliest** possible
warning of fire.

Introducing Wi-Safe 2™

Wi-Safe **2**™

ABOVE ALL
FireAngel®

Introducing Wi-Safe 2™

The new generation of interlinked safety products for the deaf and high risk

The Wi-Safe 2™ range of products are designed to provide an enhanced level of fire safety for high risk individuals such as the deaf, those with mild to moderate hearing loss, children and people under the influence of alcohol or drugs.

This new generation of safety products work together as a single system and include the WST-630 wireless smoke alarm, the combined strobe and vibrating pad and the low frequency sounder.

Due to their wireless operation these Wi-Safe 2™ products are quick and easy to link and install and do not require costly or disruptive wiring in the home. The system can be adapted if the requirements for the individual change, without the need for an installer, giving the individual more independence in their home.

'Six to seventeen year old children will not reliably awaken to a smoke alarm signal'

'Drinking alcohol significantly affects a person's ability to awaken to auditory alarm signals'

*Bruck, D. and Psiani, D.L. (1999) Journal of Sleep Research, 8, 95-103

**Ball, M and Bruck, D (2004) Human Behaviour in Fire Symposium

Wireless Interlink Smoke Alarm

WST-630



Cutting edge protection

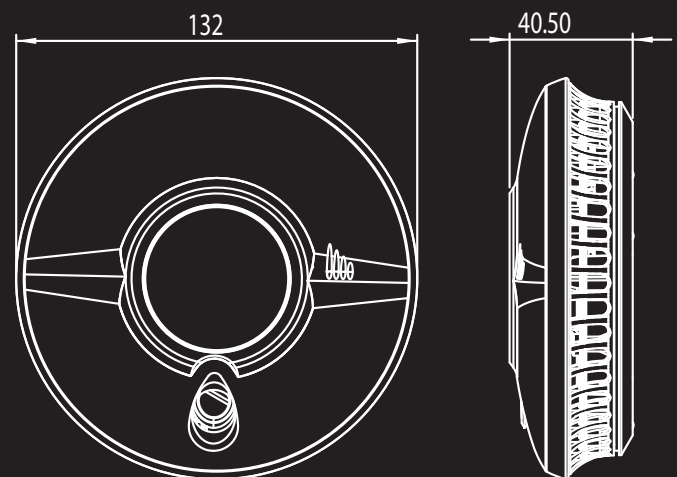
The first 10 year, battery powered, sealed-for-life, wireless interlink smoke alarm with groundbreaking Thermoptek™ technology inside.

This pioneering product provides an enhanced level of protection to conventional battery alarms.

The WST-630 has superior diagnostics functionality which monitors alarm activations and facilitates fault finding.

Easy to fit and use, the WST-630 has been designed and manufactured to provide cutting edge protection at a competitive price.

Product dimensions (mm)



Combined Strobe and Vibrating Pad

W2-SVP-630



A better chance of escaping

The Combined Strobe and Vibrating Pad respond to wireless signals from the Wi-Safe 2™ (WST-630) smoke alarm when it detects smoke. The strobe will flash and the pad will vibrate. The red 'alarm' LED on the strobe will also illuminate immediately giving the individual an early warning and a better chance of escaping.

The vibrating pad can be placed under a pillow or cushion while the strobe can be wall mounted or laid flat offering greater flexibility.

The strobe also acts as a remote low-level testing device, meaning that when the test button is pressed on the strobe it will activate all alarms in the network. This ensures that vulnerable individuals will not need to struggle to press the test buttons on the ceiling mounted smoke alarms.

Low Frequency Sounder

W2-LFS-630



More likely to wake up high risk individuals

The low frequency sounder has a wireless module which is activated by the radio signal that the Wi-Safe 2™ (WST-630) smoke alarm sends when it detects smoke. The low frequency sounder emits a 520HZ square wave at a volume of 85dB at 3 metres and the red 'alarm' LED will also illuminate. A low frequency signal is more likely to wake up high risk individuals such as children, those with mild to moderate hearing loss, older people and people under the influence of alcohol than a regular smoke alarm, according to research.***

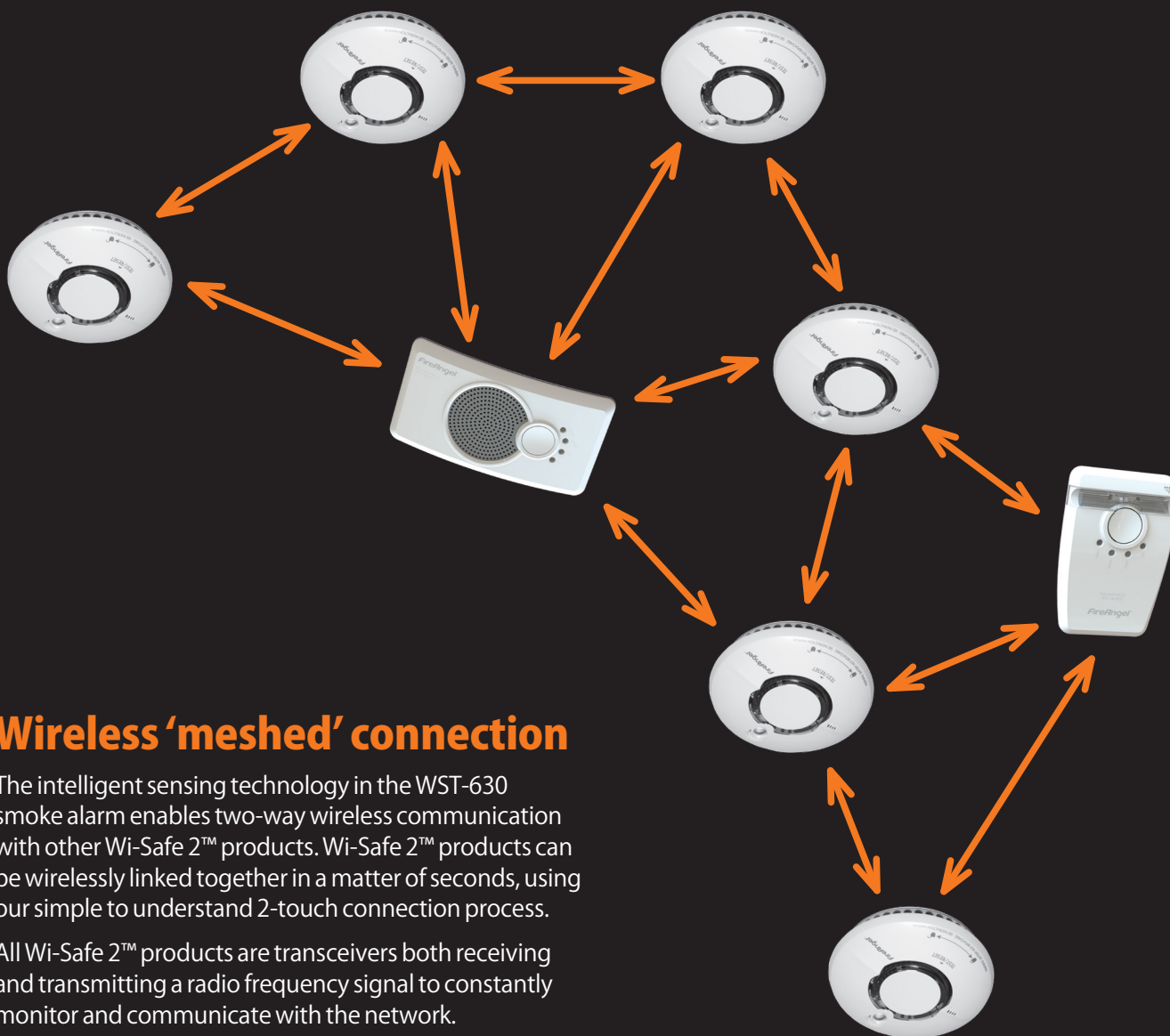
The low frequency sounder can be wall mounted horizontally or vertically or freestanding offering greater flexibility in positioning.

Like the strobe and vibrating pad the individual will also be able to test the smoke alarms in the network by pressing the test button on the low frequency sounder which is ideal for people with limited physical ability.

The low frequency sounder is mains powered with a rechargeable battery backup and also features a fault, power and alarm LED. As well as receiving, the low frequency sounder also transmits a signal to constantly monitor and communicate with the network.

***Bruck, D. & Thomas, I (2007) Waking effectiveness of alarms (auditory, visual and tactile) for adults who are hard of hearing. Optimizing Fire Alarm Notification for High Risk Groups Research Project. pp.66.

Wi-Safe **2**TM



Wireless 'meshed' connection

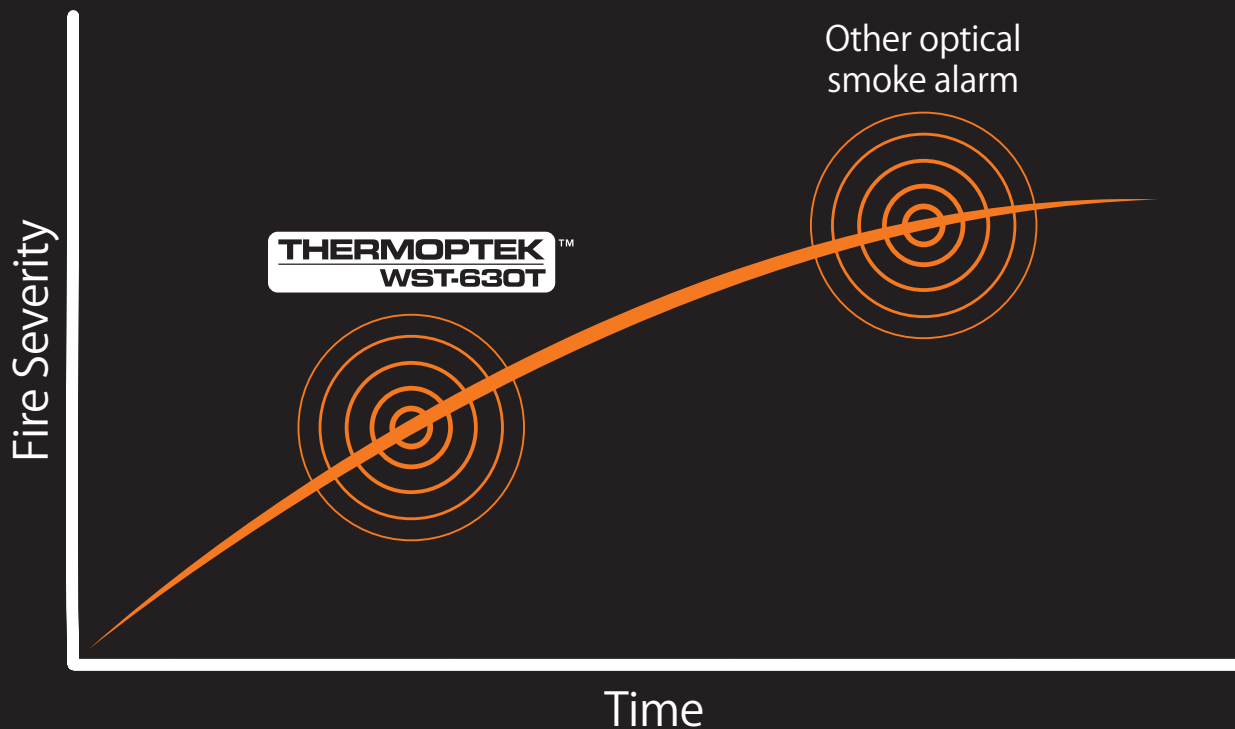
The intelligent sensing technology in the WST-630 smoke alarm enables two-way wireless communication with other Wi-Safe 2TM products. Wi-Safe 2TM products can be wirelessly linked together in a matter of seconds, using our simple to understand 2-touch connection process.

All Wi-Safe 2TM products are transceivers both receiving and transmitting a radio frequency signal to constantly monitor and communicate with the network.

When one alarm detects smoke, the wireless module inside sends a radio frequency signal to all the connected alarms ensuring almost instantaneous reaction across the network.

The smart silence feature of each alarm also means that you can easily identify the alarm that has sensed smoke and silence it, if it is a false alarm. The alarm will stay silent for 2 minutes. Only the alarms in the network that have not sensed smoke can be remotely silenced.

The Wi-Safe 2TM system can also be used where a series of smoke alarms are required. Wi-Safe 2TM technology allows up to 50 alarms to be interlinked for maximum coverage - no extra wiring, no mess, no fuss!



Improved performance

Thermoptek™ technology combines the very latest in optical sensing with a thermal enhancement providing a fast reaction to both fast flaming and slow smouldering fires in a single alarm.

Thermoptek™ technology constantly monitors for temperature change. If a rate of temperature rise is detected the sensitivity of the alarm is increased, providing a quicker response time to both fire types.

- **Resolves the ionisation vs. optical argument, combining the advantages of both in a single technology**
- **Has no storage or disposal issues (currently the case with ionisation technology)**
- **Fast reaction to all fire types**

A Sprue Safety Products brand 

Sprue Safety Products Ltd.

Vanguard Centre
Sir William Lyons Road
Coventry, CV4 7EZ

T: +44 (0) 2476 323232

W: fireangel.co.uk

